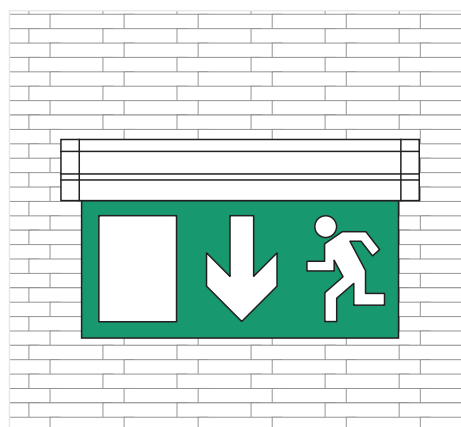
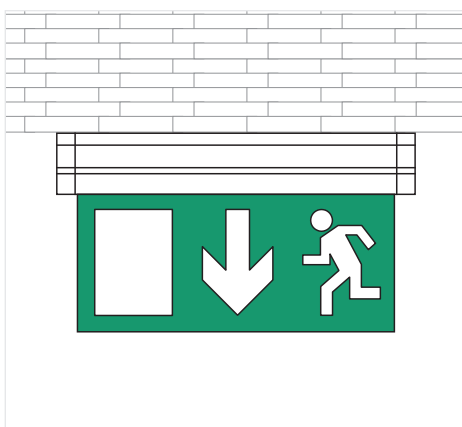
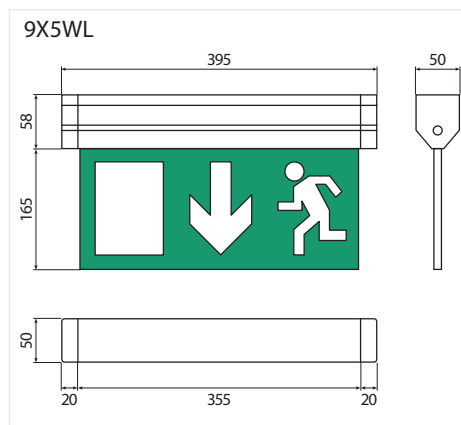
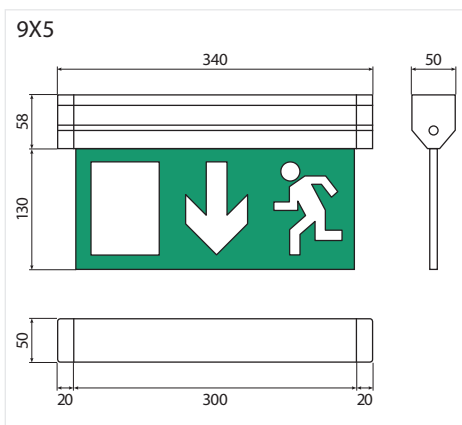


ASM® Clever Light CL-905/915/925/935



Double-sided exit showing light that can be mounted on ceilings and sidewalls. Recommended primarily for buildings with splendid interiors (hotels, offices). Available in 3 basic colors, and can be obtained in any color for surcharge. Also available in White-color and very big size: CL-9X5WL



SPECIFICATIONS CL-905								
Luminaire	Mounting method	Lighting source	Lighting power	Mains supply	Battery	Input current	Operation	Standby duration
Traditional	On ceiling or sidewall	LED/50 000 h	1W	230 VAC 50Hz	Ni-Mh	15mA	Standby/ Permanent	1-3h
Protection category	Certificates	Operation temperature	Control LED	Control button	Weight (kg)	Visibility	Body	Method of checking
IP20	EMI- TÜV,TÜV,CE,EMC	0°C-40°C	Yes	Yes	1.5	25 meters	Polycarbonate/ Brown/White/Gray	Manual

SPECIFICATIONS CL-915								
Luminaire	Mounting method	Lighting source	Lighting power	Mains supply	Battery	Input current	Operation	Standby duration
Addressable	On ceiling or sidewall	LED/50 000 h	1W	230 VAC 50Hz	Ni-Mh	25mA	Standby/ Permanent	1-3h
Protection category	Certificates	Operation temperature	Control LED	Control button	Weight (kg)	Visibility	Body	Method of checking
IP20	EMI- TÜV,TÜV,CE,EMC	0°C-40°C	Yes	No	1.6	25 meters	Polycarbonate/ Brown/White/Gray	Automatic

SPECIFICATIONS CL-925								
Luminaire	Mounting method	Lighting source	Lighting power	Mains supply	Battery	Input current	Operation	Standby duration
Addressable	On ceiling or sidewall	LED/50 000 h	1W	230 VAC 50Hz	Central battery	16mA/15mA	Standby/ Permanent	1-3h
Protection category	Certificates	Operation temperature	Control LED	Control button	Weight (kg)	Visibility	Body	Method of checking
IP20	CE	0°C-40°C	Yes	No	1.0	25 meters	Polycarbonate/ Brown/White/Gray	Automatic

SPECIFICATIONS CL-935								
Luminaire	Mounting method	Lighting source	Lighting power	Mains supply	Battery	Input current	Operation	Standby duration
Traditional	On ceiling or sidewall	LED/50 000 h	1W	230 VAC 50Hz	Central battery	25mA	Standby/ Permanent	1-3h
Protection category	Certificates	Operation temperature	Control LED	Control button	Weight (kg)	Visibility	Body	Method of checking
IP20	CE	0°C-40°C	Yes	No	1.0	25 meters	Polycarbonate/ Brown/White/Gray	Manual